

This information is given as an indication. In the continual goal to improve our products, we reserve the right to make any modifications judged necessary



RADIALL®
Microwave components

TECHNICAL DATA SHEET

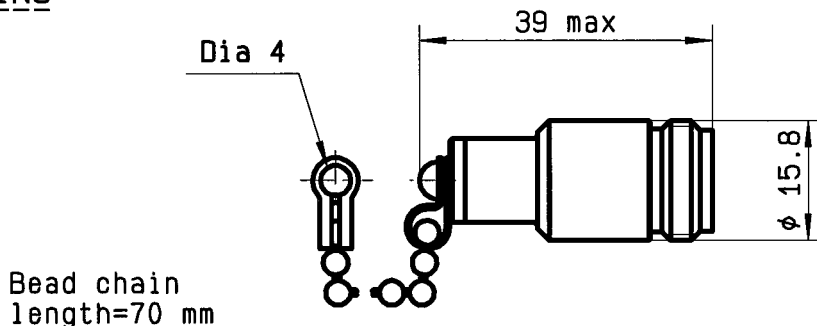
R404132120

1 W DC- 4 GHz N/female COAXIAL TERMINATION

issue
09/07/03

Page
1 / 1

DRAWING



General tolerances: +/- 0.5 mm

ELECTRICAL CHARACTERISTICS

| | | |
|------------------------|------------|-----------------------------|
| FREQUENCY RANGE | : | DC - 4GHz |
| IMPEDANCE | : | 50 Ohms |
| DC RESISTANCE | : | 50 Ohms ± 2 % |
| AVERAGE POWER HANDLING | : | 1 W at 25°C |
| PEAK POWER HANDLING | : | 500 W (1 μs, 1%.) at 25°C |
| V.S.W.R : | DC - 1 GHz | : <= 1.08 |
| | 1 - 4 GHz | : <= 1.20 |

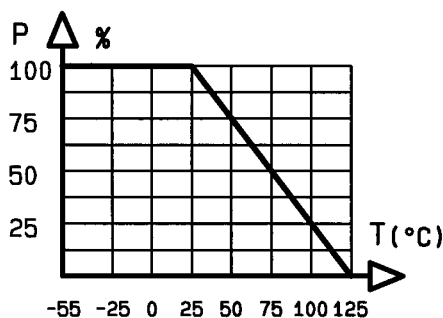
MECHANICAL CHARACTERISTICS

| | | |
|----------------|---|--------------------------|
| CONNECTOR | : | N female per MIL C 39012 |
| MAXIMUM WEIGHT | : | 35 grams |

ENVIRONMENTAL CHARACTERISTICS

| | | |
|----------------------------------|---|------------|
| OPERATING TEMPERATURE RANGE (°C) | : | -55 , +125 |
| STORAGE TEMPERATURE RANGE (°C) | : | -55 , +125 |

Power derating
Versus temperature



CREATION

N° :
PEN/EP:92504
Name:PG
Date:13.oct.92
APP.:

09.jul.03
28.jul.98
ISSUE

Frequency range 2.5 GHz --> 4 GHz
V.S.W.R 1.10 --> 1.08

REVISIONS

AF FG
MG AF
NAME APPR.

RADIALL®

101. rue P. Hoffmann -Z.I Ouest-
93116 ROSNY/BOIS Cedex-FRANCE
Phone:33(1)49353535
Fax :33(1)48546363
Twx RADIA 235220F

4112-9212